

# PERMA-SHIELD<sup>®</sup> GLIDING PATIO DOORS



200 Series  
Perma-Shield<sup>®</sup> Gliding  
Patio Doors

# PERMA-SHIELD® GLIDING PATIO DOORS

## FEATURES

### Frame

**A** The sill has an anodized aluminum track with a stainless steel cap that resists stains, rust and denting.\* A thermal barrier reduces conductive heat loss and limits condensation on the inside.

**B** All basic exterior frame members are covered with a rigid vinyl which maintains an attractive appearance while minimizing maintenance.

**C** Wood frame members are treated with a water-repellent preservative for long-lasting\*\* protection and performance.

Factory-assembled two-panel doors are available and arrive at the jobsite ready to install. Unassembled doors are also available and require jobsite assembly.

**D** A flexible vinyl weatherstrip on the head and side jambs provides a positive seal between the frame and panels.

### Panel

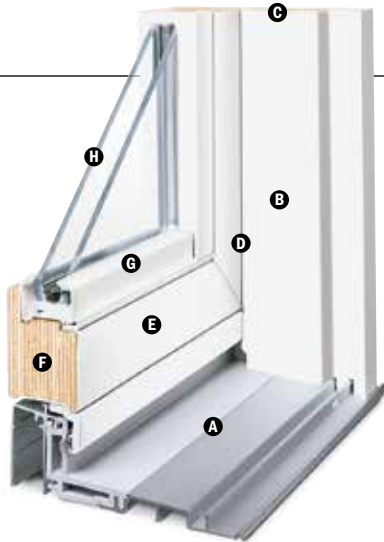
**E** All panel surfaces are covered with a rigid vinyl which maintains an attractive appearance while minimizing maintenance.

**F** Laminated veneer lumber panels provide excellent structural stability and energy efficiency.

Dual-rollers on door panels provide smooth gliding operation with self-contained leveling adjusters.

### Flexible Seal

A full-length combination weatherstrip/interlock system provides a flexible seal at the meeting stile.



### Glass

**G** A high-performing thermoplastic glazing bead features a flexible lip which provides superior weathertightness and long-term durability.

**H** Glass options include:

- Low-E tempered glass
- Low-E HeatLock® tempered glass
- Low-E Sun tempered glass
- Low-E SmartSun™ tempered glass
- Low-E SmartSun HeatLock tempered glass
- Dual-pane tempered glass

Additional glass options are available. Contact your Andersen supplier.

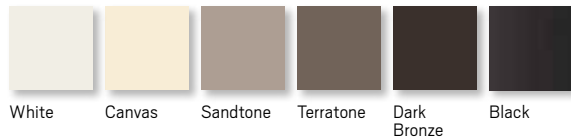
A removable translucent film helps shield the glass from damage during delivery and construction and simplifies finishing at the jobsite.

### Blinds-Between-the-Glass

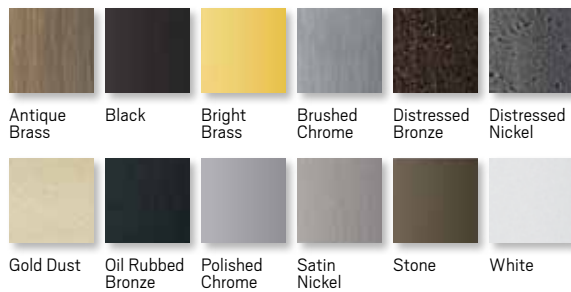


Blinds-between-the-glass are available for select gliding patio door sizes when ordered with Low-E tempered glass. White ½" (13) aluminum slat blinds come mounted between two panes of insulated glass in a dust-free environment. Blinds are magnetically controlled and can be tilted or raised and lowered using low profile controls. Smooth, simple operation allows for customized light and privacy control. Available in 33611, 5068, 51168 and 61611 door sizes. For more information, contact your Andersen supplier.

## EXTERIOR & INTERIOR



## HARDWARE FINISHES



Distressed bronze and oil rubbed bronze are "living" finishes that will change with time and use.

## GLIDING PATIO DOOR HARDWARE OPTIONS\*\*

Bold name denotes finish shown.



**YUMA®**  
Distressed Bronze  
**Distressed Nickel**

**ENCINO®**  
**Distressed Bronze**  
Distressed Nickel

**NEWBURY®**  
Antique Brass  
Bright Brass  
Brushed Chrome  
**Oil Rubbed Bronze**  
Polished Chrome  
Satin Nickel

**ANVERS®**  
Bright Brass  
Oil Rubbed Bronze  
**Satin Nickel**

**COVINGTON™**  
Antique Brass  
**Bright Brass**  
Oil Rubbed Bronze

**WHITMORE®**  
**Antique Brass**  
Bright Brass  
Oil Rubbed Bronze  
Satin Nickel

**ALBANY**  
Black  
**Gold Dust**  
Stone  
White

**TRIBECA®**  
Stone  
**White**

\* Visit andersenwindows.com/warranty for details.

\*\* Hardware sold separately.

Printing limitations prevent exact replication of colors and finishes. See your Andersen supplier for actual color and finish samples.

Tribeca and Albany hardware are zinc die cast with powder-coated durable finish. Other hardware is solid forged brass. Mix-and-match interior and exterior style and finish options are available. Bright brass and satin nickel finishes feature a 10-year limited warranty.

## Locking System

### Reachout Locking Hardware



The unique Andersen® reachout locking system pulls the door panel snugly into the jamb for weathertightness and enhanced security.



### Performance Grade (PG) Upgrade

Select Perma-Shield® gliding patio doors sizes are available with PG upgrades. Heavy-duty rollers and reinforced frame and panel components allow standard glass units to achieve higher performance ratings. Performance Grade (PG) Ratings are more comprehensive than Design Pressure (DP) Ratings for measuring product performance. For more information, contact your Andersen supplier. For up-to-date performance information of individual products, visit [andersenwindows.com](http://andersenwindows.com).

Visit [andersenwindows.com/coastal](http://andersenwindows.com/coastal) for more information on Stormwatch Protection.

For more information about **glass, grilles and insect screens**, see pages 8-9.

For more information about **combination designs, product performance, installation instructions and accessories**, see pages 51-63 or visit [andersenwindows.com](http://andersenwindows.com).

## ACCESSORIES Sold Separately

### Frame

#### Extension Jamb

Standard jamb depth is 4 9/16" (116). Pine, oak or maple veneer or prefinished white interior extension jambs are available in 1/16" (1.5) increments between 5 1/16" (129) and 7 1/8" (181).

#### Threshold



An oak or maple threshold is available for finishing the interior of the sill.

#### Ramped Sill Insert



Ramped sills in oak or maple provide smooth transition from interior to exterior and can be used with a retractable insect screen, but not a gliding insect screen. Shown with a 400 Series Frenchwood® gliding patio door. Check with local and federal officials to determine if product meets accessibility codes.

#### Sill Support



An aluminum sill support is designed to lock into a channel under the sill and tie back into the wall. This will offer support to the outermost sill section when needed. Available in neutral gray finish.

### Hardware

#### Exterior Keyed Lock



A six-pin key cylinder lock is available in styles and finishes that coordinate with hardware. This lock allows the gliding door to be locked and unlocked from the exterior.

### Auxiliary Foot Lock



Provides an extra measure of security when the door is in a locked position. Lock can be set so the door is fully closed or partially open to provide a secure venting position. Available in all hardware finishes.

### Security Sensors

#### VeriLock® Sensors

VeriLock sensors are available in five colors. See page 6 for details.

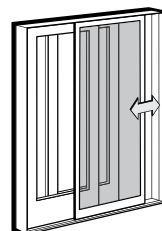
#### Open/Closed Sensors

Wireless open/closed sensors are available in four colors. See page 6 for details.

### Insect Screens

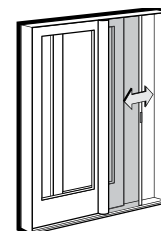
All insect screens have a long-lasting\* fiberglass screen mesh with a charcoal finish and are color-matched to the exterior of the door unless otherwise specified.

#### Gliding Insect Screen



Patented square corner joint construction adds considerable strength to the frame members. The insect screen is available for both two-panel doors and four-panel doors. Gliding insect screens have Delrin® injection-molded bottom rollers with self-contained leveling adjusters, providing smooth operation. Interior and exterior pulls and latch are provided.

### Retractable Insect Screen



The retractable insect screen is installed on the exterior of the door and opens side to side across the width of the opening. When the insect screen is not in use, it neatly retracts into a small canister mounted on the exterior of the door. The retractable insect screen canister is available for two-panel patio doors in white, canvas, Sandtone, Terratone, dark bronze and black. Please note, retractable insect screen track reduces clear opening height by 1" (25).

### Grilles

Grilles are available in a variety of configurations and widths. For grille patterns, see page 35.

### Sidelights

Stationary units can also be selected for use as sidelights. See size table on page 34 for size options.

### Exterior Trim

This product is available with Andersen exterior trim. See pages 45-50 for details.

#### CAUTION:

- Painting and staining may cause damage to rigid vinyl and is not recommended.
- Andersen does not warrant the adhesion or performance of homeowner-applied paint over vinyl or other factory-coated surfaces.
- Do not paint weatherstrip.
- Creosote-based stains should not come in contact with Andersen products.
- Abrasive cleaners or solutions containing corrosive solvents should not be used on Andersen products.

\*Visit [andersenwindows.com/warranty](http://andersenwindows.com/warranty) for details.

Andersen patio doors are not intended for use as entrance doors.

Dimensions in parentheses are in millimeters.

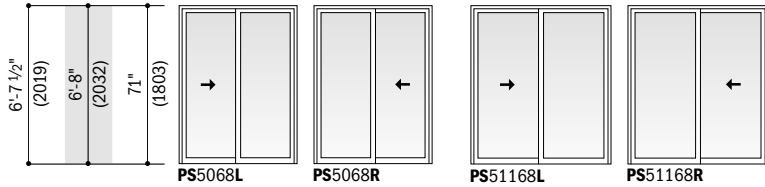
®Delrin is a registered trademark of E.I. du Pont de Nemours and Company.

# PERMA-SHIELD® GLIDING PATIO DOORS

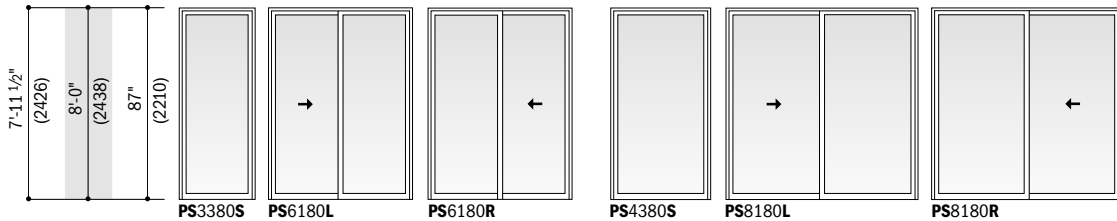
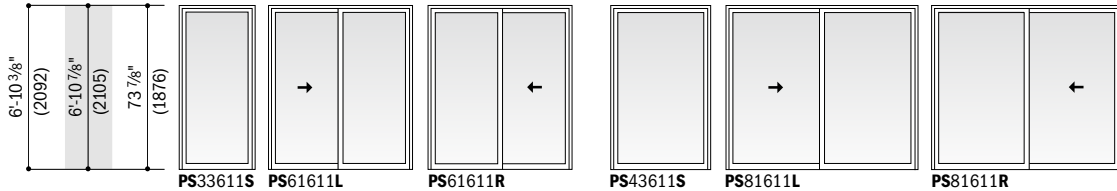
**Table of Perma-Shield® Gliding Patio Door Sizes**

Scale 1/8" = 1'-0" (1:96)

Door Dimension	4'-11 1/4" (1505)	4'-11 1/4" (1505)	5'-10 1/2" (1791)	5'-10 1/2" (1791)
<b>Minimum Rough Opening</b>	5'-0" (1524)	5'-0" (1524)	5'-11 1/4" (1810)	5'-11 1/4" (1810)
Unobstructed Glass (single panel only)	24 3/4" (629)	24 3/4" (629)	30 3/8" (772)	30 3/8" (772)



Door Dimension	3'-2 3/8" (975)	6'-0" (1829)	6'-0" (1829)	4'-2 3/8" (1280)	8'-0" (2438)	8'-0" (2438)
<b>Minimum Rough Opening</b>	3'-3 1/8" (994)	6'-0 3/4" (1848)	6'-0 3/4" (1848)	4'-3 1/8" (1299)	8'-0 3/4" (2457)	8'-0 3/4" (2457)
Unobstructed Glass (single panel only)	31 1/8" (791)	31 1/8" (791)	31 1/8" (791)	43 1/8" (1095)	43 1/8" (1095)	43 1/8" (1095)

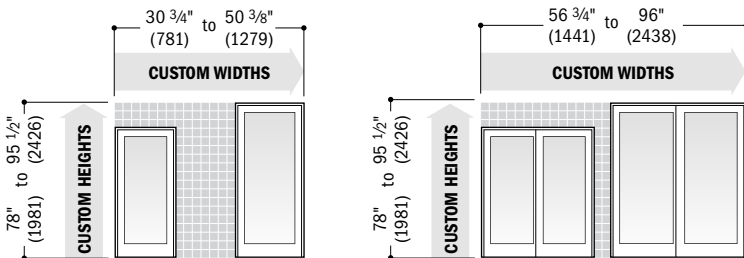


Custom-size doors are available in 1/8" (3) increments. See below for custom sizes and specifications.

Viewed from the exterior. Arrow indicates direction of panel operation. Stationary (S) doors can be used as an individual unit or as a sidelight. Grille patterns shown on page 35.

- "Door Dimension" always refers to outside frame to frame dimension.
- "Minimum Rough Opening" dimensions may need to be increased to allow for use of building wraps, flashing, sill panning, brackets, fasteners or other items. See pages 62-63 for more details.
- Dimensions in parentheses are in millimeters.
- For doors with blinds between the glass, unobstructed glass width dimension is reduced.

## Custom Sizes and Specification Formulas



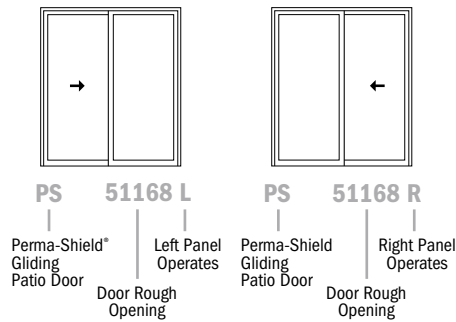
Available in 1/8" (3) increments between minimum and maximum widths and heights shown. Some restrictions apply. Measurement guide can be found at [andersenwindows.com/measure](http://andersenwindows.com/measure).

<b>Clear Opening</b> 	<b>Two-Panel</b> Width = (width + 2) - 7.5" (191) Height = height - 4.155" (106)	<b>Minimum R.O.</b> 	Width = width + 3/4" (19) Height = height + 1/2" (13)	<b>Unobstr. Glass</b> 	<b>Single-Panel</b> Width = width - 7.25" (184) Height = height - 8.562" (217)
	<b>Two-Panel</b> Width = width - 9.75" (248) Height = height - 8.562" (217)				

- Dimensions in parentheses are in millimeters.
- **Clear Opening** formulas provide dimensions for determining area available for egress. Vent opening, or area available for passage of air, is equal to clear opening. **Minimum R.O.** (minimum rough opening) formulas provide minimum rough opening width and height dimensions. **Unobstr. Glass** (unobstructed glass) formulas provide dimensions for determining area available for passage of light.

**Order Designation Description**

Viewed from the exterior.



**Two-Panel Perma-Shield® Gliding Patio Door Opening and Area Specifications**

Door Number	Clear Opening Area Sq. Ft./ (m <sup>2</sup> )	Clear Opening in Full Open Position		Glass Area Sq. Ft./ (m <sup>2</sup> )	Vent Area Sq. Ft./ (m <sup>2</sup> )	Overall Door Area Sq. Ft./ (m <sup>2</sup> )
		Width Inches/(mm)	Height Inches/(mm)			
PS5068	11.64 (1.08)	22 1/8" (562)	75 3/4" (1924)	24.90 (2.31)	11.64 (1.08)	32.71 (3.04)
PS51168	14.60 (1.36)	27 3/4" (705)	75 3/4" (1924)	30.40 (2.82)	14.60 (1.36)	38.92 (3.62)
PS61611	15.56 (1.45)	28 1/2" (724)	78 5/8" (1997)	32.40 (3.01)	15.56 (1.45)	41.19 (3.83)
PS81611	22.11 (2.05)	40 1/2" (1029)	78 5/8" (1997)	44.20 (4.11)	22.11 (2.05)	54.92 (5.10)
PS6180	18.16 (1.69)	28 1/2" (724)	91 3/4" (2330)	37.60 (3.49)	18.16 (1.69)	47.75 (4.44)
PS8180	25.80 (2.40)	40 1/2" (1029)	91 3/4" (2330)	52.10 (4.84)	25.80 (2.40)	63.67 (5.92)

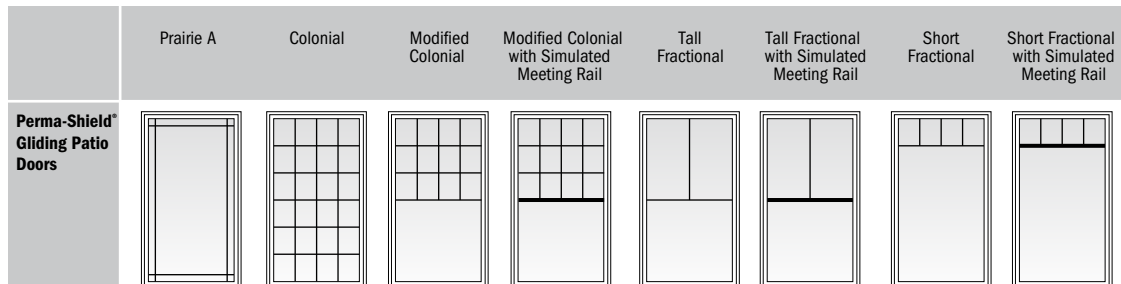
\*Dimensions in parentheses are in millimeters or square meters.

**Stationary Perma-Shield® Gliding Patio Door Area Specifications**

Door Number	Glass Area Sq. Ft./ (m <sup>2</sup> )	Overall Door Area Sq. Ft./ (m <sup>2</sup> )
PS33611	16.00 (1.49)	21.95 (2.04)
PS43611	22.10 (2.05)	28.82 (2.68)

\*Dimensions in parentheses are in square meters.

**Grille Patterns**



**Number of lights and overall pattern varies with panel size.**

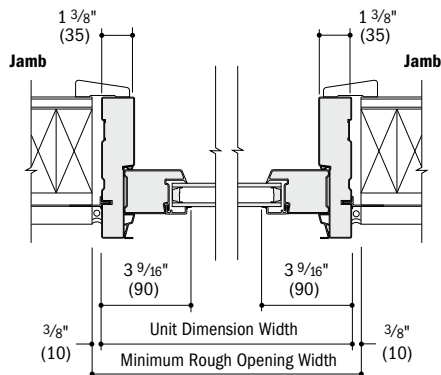
**Patterns are not available in all configurations.** Specified equal light and custom patterns are also available, see page 28.

For more information on divided light, see page 9 or visit

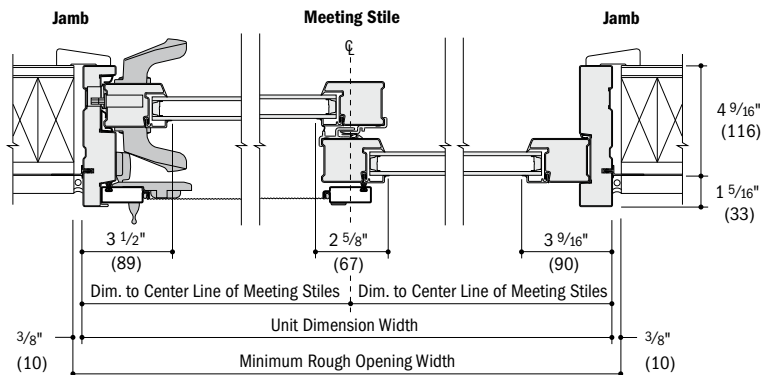
[andersenwindows.com/grilles](http://andersenwindows.com/grilles).

**Perma-Shield® Gliding Patio Door Details**

Scale 1 1/2" (38) = 1'-0" (305) – 1:8



**Horizontal Section**  
Stationary



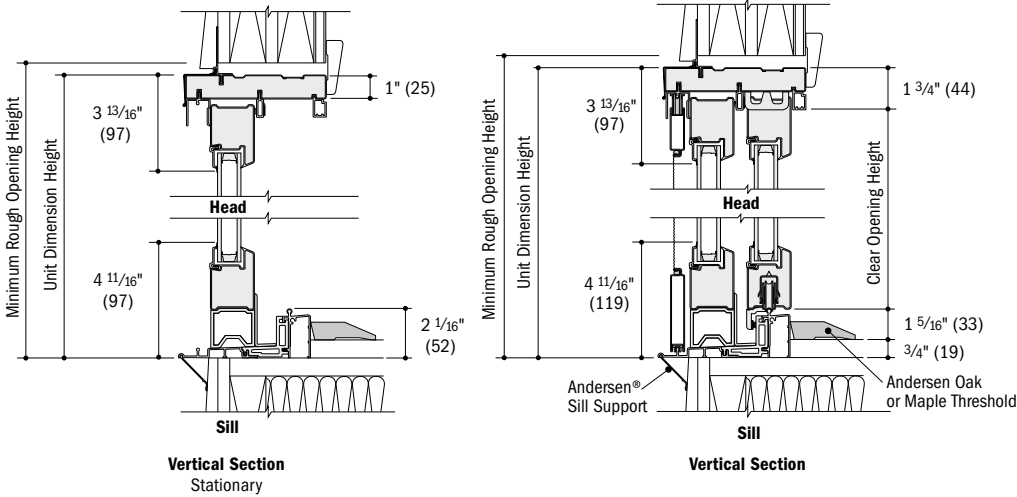
**Horizontal Section**  
Two-Panel

- \*Light-colored areas are parts included with window. Dark-colored areas are additional Andersen® parts required to complete window assembly as shown.
- \* **Rough openings may need to be increased to allow for use of building wraps, flashing, sill panning, brackets, fasteners or other items. See installation information on pages 62-63.**
- \*Details are for illustration only and are not intended to represent product installation methods or materials. Refer to product installation guides at [andersenwindows.com](http://andersenwindows.com).
- \*Dimensions in parentheses are in millimeters.

# PERMA-SHIELD® GLIDING PATIO DOORS

## Perma-Shield® Gliding Patio Door Details

Scale 1 1/2" (38) = 1'-0" (305) – 1:8



## Vertical Joining Detail

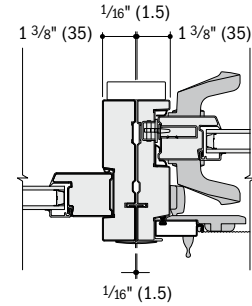
Scale 1 1/2" (38) = 1'-0" (305) – 1:8

### Overall Door Dimension Width

Sum of individual door widths plus 1/16" (1.5) for each join.

### Overall Rough Opening Width

Overall door width plus 3/4" (19).

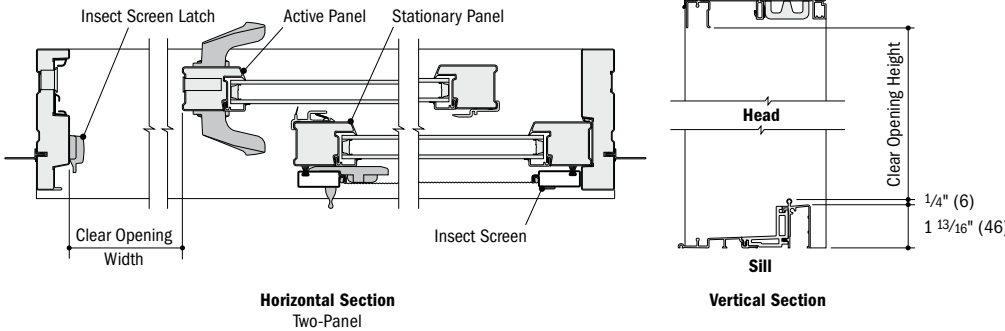


### Horizontal Section

Perma-Shield® Gliding to Perma-Shield Gliding

## Clear Opening Details

Scale 1 1/2" (38) = 1'-0" (305) – 1:8



## Vertical Joining Detail - LVL

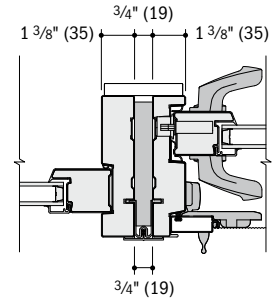
Scale 1 1/2" (38) = 1'-0" (305) – 1:8

### Overall Door Dimension Width

Sum of individual door widths plus 3/4" (19) for each join.

### Overall Rough Opening Width

Overall door width plus 3/4" (19).

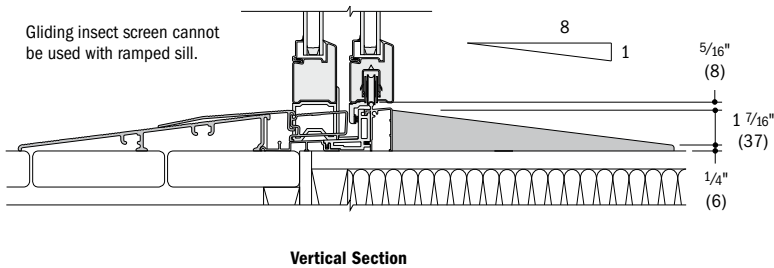


### Horizontal Section

Perma-Shield® Gliding to Perma-Shield Gliding

## Ramped Sill Detail

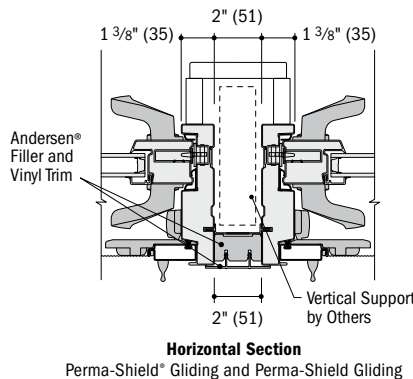
Scale 1 1/2" (38) = 1'-0" (305) – 1:8



## Separate Rough Openings Detail

Scale 1 1/2" (38) = 1'-0" (305) – 1:8

To meet structural requirements or to achieve a wider joined appearance, doors may be installed into separate rough openings having vertical support (by others) in combination with Andersen® exterior filler and exterior vinyl trim.



**Andersen does not recommend joining of receiver jamb to receiver jamb. For more joining information, see the combination designs section starting on page 51.**

- Light-colored areas are parts included with door. Dark-colored areas are additional Andersen® parts required to complete door assembly as shown.
- Rough openings may need to be increased to allow for use of building wraps, flashing, sill panning, brackets, fasteners or other items. See installation information on pages 62-63.
- Details are for illustration only and are not intended to represent product installation methods or materials. Refer to product installation guides at andersenwindows.com.
- Andersen recommends installation of doors into separate rough openings. Consult with an architect or structural engineer regarding minimum requirements for structural support members between adjacent rough openings.
- Dimensions in parentheses are in millimeters.